

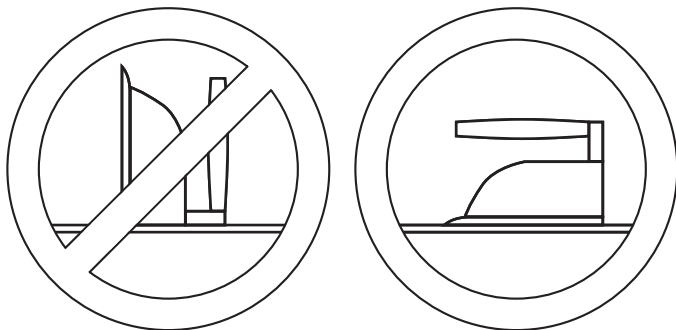
▶ BOTTLE IRON ◀ SAPPORO®

INSTRUCTIONS FOR USE AND INSTALLATION OF MODEL SP-95

HOW TO USE THE IRON

1. HANG BOTTLE 1 METER ABOVE PRESSING SURFACE. (SEE BOTTLE HANGING INSTRUCTION.)
2. CONNECT THE BLACK HOSE END TO THE IRON, AND CLEAR HOSE END TO THE BOTTLE.
3. EMPTY DEMINERALIZER PACKAGE INTO THE BOTTLE AND FILL IT WITH TAP WATER ONLY. (IF YOU WANT TO, USE THE DEMINERALIZER AS AN OPTION.)
4. TIE THE ELECTRICAL CORD AND HOSE TOGETHER.
5. PLUG THE IRON CORD INTO A GROUNDED ELECTRICAL OUTLET.
6. SET THE TEMPERATURE DIAL ON NO. 4 AND LET THE IRON HEAT UP FOR TEN MINUTES.
7. OPEN THE BOTTLE VALVE AND ALLOW THE HOSE TO FILL WITH WATER BY PRESSING THE STEAM SWITCH. THE IRON IS NOW READY FOR USE.
8. WHEN NOT PRESSING, PLACE THE IRON ON THE SUPPLIED IRON REST.
9. ALWAYS UNPLUG THE IRON WHEN UNATTENDED OR NOT IN USE.

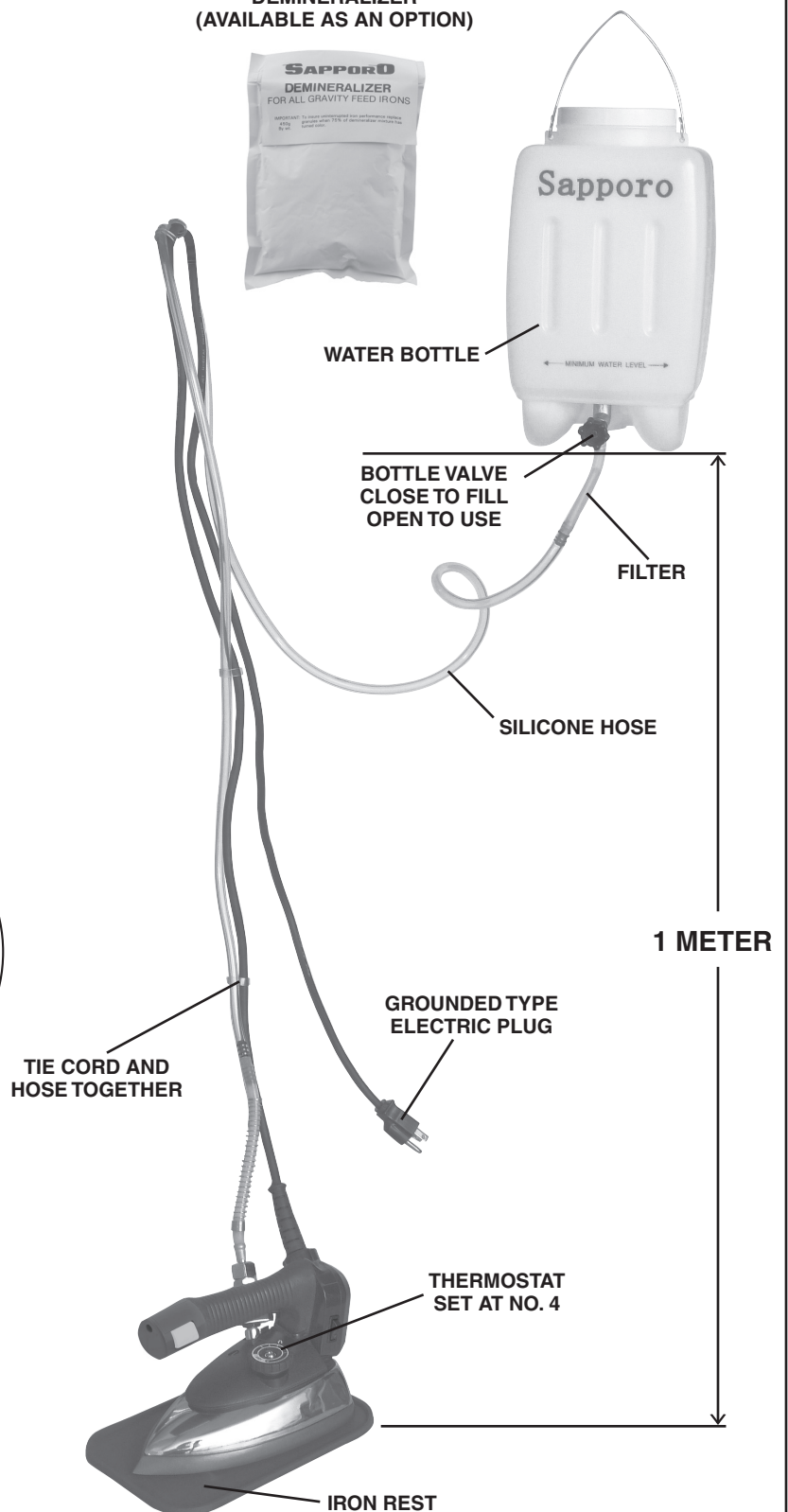
DO NOT STAND IRON ON ITS BACK.



IMPORTANT NOTICE ABOUT DEMINERALIZER:

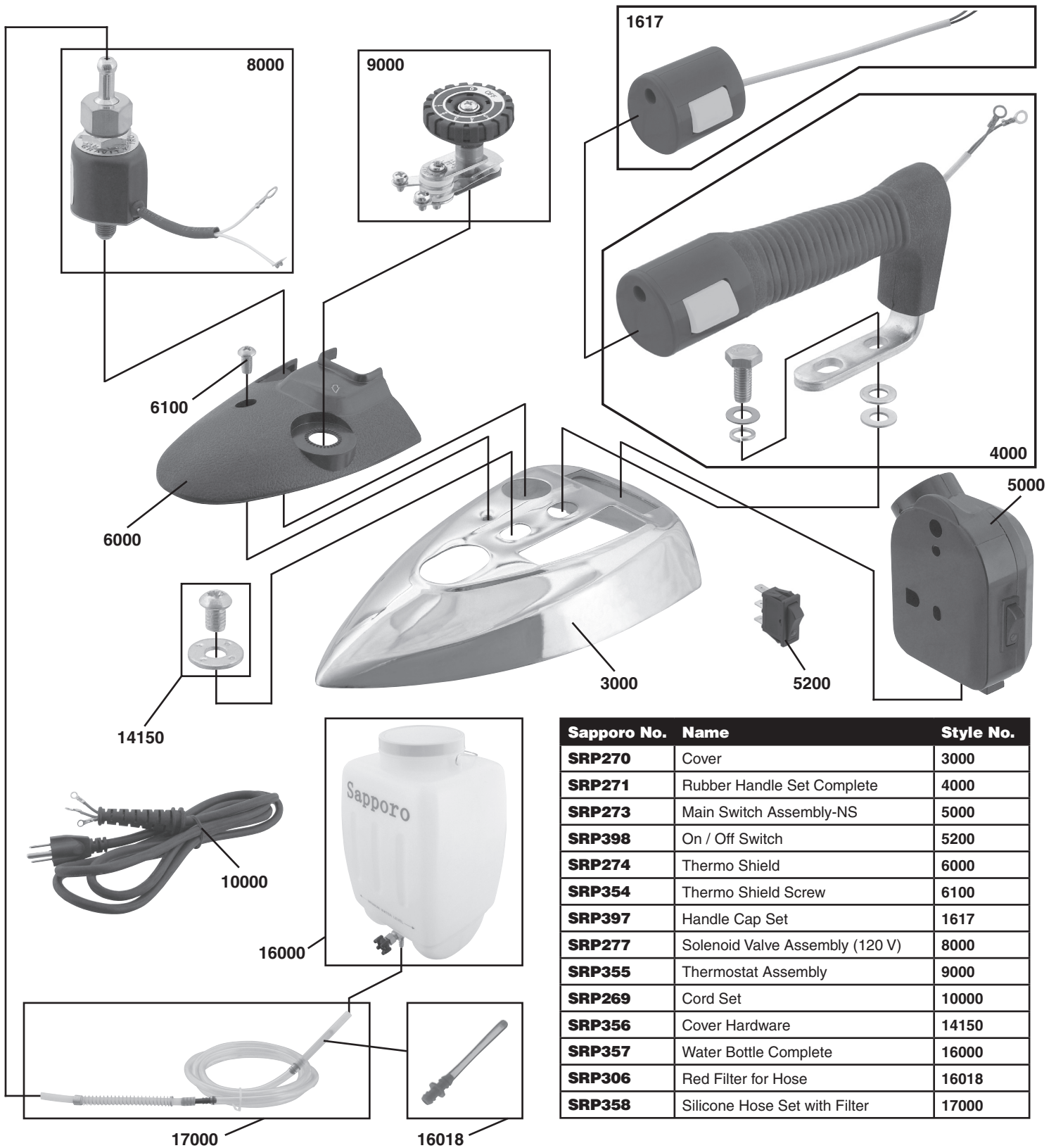
- THE DEMINERALIZER EXTENDS THE LIFE OF THE IRON & PREVENTS CALCIUM BUILD-UP.
- WHEN THE DEMINERALIZER CHANGES FROM BLUE TO BROWN, REPLACE IT BY ORDERING A NEW PACKAGE FROM YOUR DISTRIBUTOR.

DEMINERALIZER (AVAILABLE AS AN OPTION)



▲ BOTTLE IRON ▲ SAPPORO®

PARTS LIST FOR MODEL SP-95



Sapporo No.	Name	Style No.
SRP270	Cover	3000
SRP271	Rubber Handle Set Complete	4000
SRP273	Main Switch Assembly-NS	5000
SRP398	On / Off Switch	5200
SRP274	Thermo Shield	6000
SRP354	Thermo Shield Screw	6100
SRP397	Handle Cap Set	1617
SRP277	Solenoid Valve Assembly (120 V)	8000
SRP355	Thermostat Assembly	9000
SRP269	Cord Set	10000
SRP356	Cover Hardware	14150
SRP357	Water Bottle Complete	16000
SRP306	Red Filter for Hose	16018
SRP358	Silicone Hose Set with Filter	17000

▲ BOTTLE IRON ▲ SAPPORO®

PRESSING WITH SAPPORO IRON

NOW THAT YOUR IRON IS PROPERLY SET-UP, PLEASE READ THE FOLLOWING TIPS FOR PRESSING WITH PROFESSIONAL RESULTS:

- INITIALLY, TO ALLOW WATER TO ENTER INTO THE HOSE AND IRON, PRESS THE STEAM SWITCH. THIS MAY TAKE A FEW SECONDS, THEN YOU WILL SEE STEAM.
- BEGIN TO PRESS.
- FOR BEST RESULTS, IT IS ONLY NECESSARY TO PRESS THE STEAM SWITCH FOR A FEW SECONDS AT A TIME. IT IS NOT NECESSARY TO ACTIVATE THE STEAM SWITCH CONTINUOUSLY.
- THERE ARE SEVERAL SETTINGS ON YOUR TEMPERATURE DIAL. RECOMMENDED TEMPERATURE SETTINGS ARE AS FOLLOWS:
 - # 1, 2 – PREHEAT
 - # 3 – SILK AND DELICATE FABRICS (LOW TEMPERATURE)
 - # 4 – COTTON AND WOOL (MEDIUM TEMPERATURE)
 - # 5 – LINEN (HIGH TEMPERATURE)
- A TEFLON SHOE IS RECOMMENDED AND IS AVAILABLE FROM YOUR DISTRIBUTOR TO PREVENT GARMENT SHINE AND STARCH BUILD-UP.
- WHEN UNATTENDED OR NOT IN USE, ALWAYS TURN OFF AND UNPLUG YOUR IRON.

TROUBLE SHOOTING GUIDE

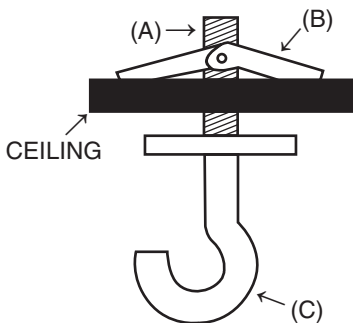
PROBLEM	PROBABLE CAUSE	SUGGESTED REMEDY
Iron does not heat.	No power to iron.	Check electric outlet
	Temperature dial is in "OFF" position.	Set temperature dial to No. 3, 4 or 5.
	Temperature dial is set on No. 1 or 2.	Set temperature dial to No. 3, 4 or 5.
No steam or very little steam.	Little or no water in bottle.	Fill bottle with water.
	Bottle not high enough.	Bottle must be 36" above the Pressing surfaces.
	Clogged filters.	Remove and rinse filter under water faucet.
	Clogged steam holes..	Clear holes with straightened paper clip.
Iron spits water.	Iron is not hot enough.	Turn temperature dial up(clockwise). Let iron heat up.
	Stream switch held down too long.	Release steam switch and let iron heat up.
Iron too hot.	Temperature dial is set too high.	Turn thermostat dial down (counter clockwise).
Iron not hot enough.	Temperature dial is set too low.	Turn thermostat dial up (clockwise).

▲ BOTTLE IRON ▲ SAPPORO®

CEILING HOOK INSTALLATION INSTRUCTIONS

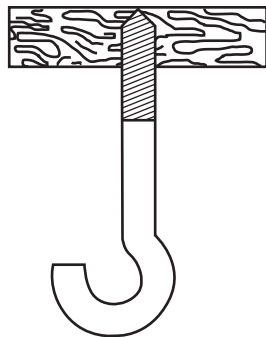
IMPORTANT : CAUTION – DO NOT SLIDE ELECTRICAL WIRE OR WATER HOSE OVER HOOK. SLIDE CHAIN LINK ONLY OVER HOOK.

CAUTION – INJURY TO PERSONS OR DAMAGE TO THE CEILING MAY RESULT IF THE BOTTLE OR MOUNTING HARDWARE IS PULLED FROM THE CEILING. TO AVOID SUCH INJURY, MOUNT ONLY TO CEILING MEMBERS THAT ARE STRUCTURALLY SOUND.



FOR HOLLOW CEILINGS:

1. DRILL 5/8" DIAMETER HOLE IN THE CEILING AT DESIRED HOOK LOCATION.
2. ASSEMBLE TOGGLE BOLT BY SCREWING BOLT (A) INTO TOGGLE (B).
3. INSERT FLAPS AND BOLT ASSEMBLY (A/B) HINGE UP INTO CEILING HOLE WITH THE BOLT (A) PROTRUDING THROUGH CEILING. LOCK ASSEMBLY BY TURNING HOOK (C) CLOCKWISE UNTIL FIRMLY SEATED.



FOR WOOD BEAM CEILINGS

SCREW HOOK CLOCKWISE INTO CEILING UNTIL FIRMLY SEATED.

FOR EITHER METHOD

HANG THE BOTTLE ASSEMBLY BY A CHAIN FROM THE HOOK SO THAT THE BOTTOM OF THE BOTTLE IS 1 METER (1 YARD-STICK) FROM THE WATER INLET ON THE IRON.